



Trio® TP350 Cone Crusher

The TP350 cone crusher is a compact, robust and high performance cone crusher suitable for heavy duty crushing in both mining and aggregate industries. The compact design allows for maximum mobility without sacrificing versatility or performance. The machine's unique combination of high crushing force, high throw and high pivot point delivers performance that maximises your return on investment.

Featuring a steep crushing chamber angle, a large crushing stroke and optimum speed to deliver a finer product through inter-particle comminution, the TP350 cone crusher can be used as either a secondary or tertiary crusher when fitted with the correct crushing chamber.

Whether your needs are stationary, wheel mounted or track mount, our TP350 cone crusher is designed for the most demanding applications in the processing of construction aggregates or crushed ore.

The machine also have a full range of automation options that meets Weir Minerals' standards for manufacturing and design excellence.



Trio® cone crusher operating at a zinc, copper, gold mine facility in Western Australia.

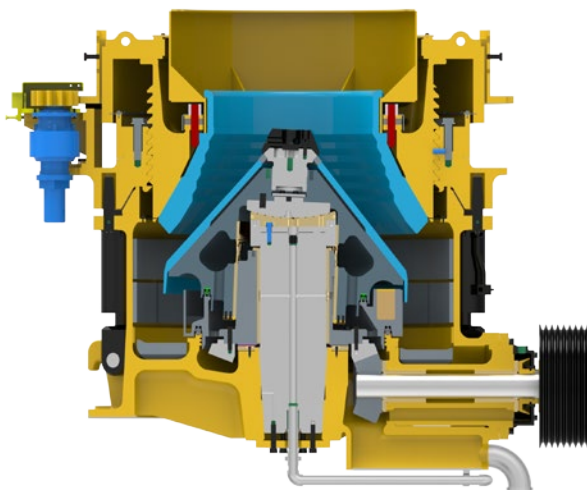
Applications

- Secondary and tertiary stage crushing circuits
- Crushing to make specification size and/or shape for aggregates
- Crushing ore for direct reduction, leaching or milling operations

Features

- Adjustment: Threaded bowl with hydraulic gear drive for precision Closed Side Setting (CSS) adjustment and can be easily integrated into a remotely controlled system
- Operating Controls: Fully integrated hydraulic console with push button control for clamping, clearing and adjustment
- Bearings: Bronze bearings designed for extended life under maximum load
- Lubrication: Self-contained, climate controlled oil lubrication skid with integrated Programmable Logic Controller (PLC) shutdown sensors
- Gearing: Spiral cut bevel gear set using induction hardened gears and pinions to ensure quiet, smooth and more efficient horsepower transmission
- Frame: Cast high strength alloy steel with a three arm design for maximum strength and durability

Trio® TP350 Cone Crusher



Trio® TP350 Cone Crusher Specifications

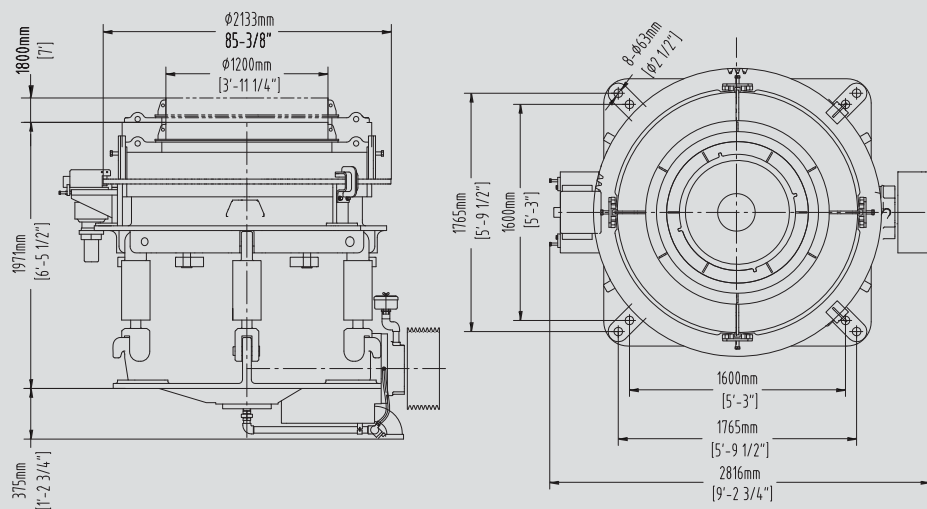
Head Diameter:	1,133 mm (44-1/2")
Machine Weight:	18,500 kgs (40,786 lbs)
Max Feed Opening:	265 mm (10-1/3") with Secondary Chamber
Max Feed Opening:	163mm (6-1/3") with Tertiary Chamber
Required Power:	250 kW (350 HP) Electric Motor
Eccentric Operating Speed:	350 to 410 RPM

TP Series Cone Crusher Capacity Chart

Note: Indicated capacity is neither minimum or maximum values. Actual capacity will depend on eccentric speed, chamber selection, and feed parameters. Assumed ore characteristics for indicated capacity is free flowing material, moderate hardness and bulk density exceeding 1.6 metric tons per cubic meter. For best results, operating the cone crusher with a full crusher chamber is recommended. However, all TP series cone crusher accept reasonable variations in feed rates.

Model	CSS - 10 mm	CSS - 13 mm	CSS - 19 mm	CSS - 25 mm	CSS - 32 mm	CSS - 38 mm	CSS - 45 mm
TP260	90 to 110 mtph	122 to 145 mtph	160 to 195 mtph	177 to 217 mtph	198 to 242 mtph	216 to 264 mtph	Consult Factory
TP350	125 to 154 mtph	180 to 220 mtph	211 to 281 mtph	247 to 290 mtph	261 to 319 mtph	284 to 347 mtph	288 to 352 mtph
TP450	160 to 215 mtph	200 to 265 mtph	285 to 375 mtph	335 to 435 mtph	380 to 490 mtph	430 to 575 mtph	490 to 590 mtph
TP600	200 to 300 mtph	290 to 350 mtph	410 to 475 mtph	470 to 530 mtph	500 to 575 mtph	540 to 670 mtph	620 to 790 mtph
TP900	270 to 350 mtph	325 to 450 mtph	435 to 600 mtph	525 to 770 mtph	600 to 900 mtph	650 to 1000 mtph	770 to 1050 mtph

TP350 Cone Crusher General Arrangement Drawing



Note: Drawings not to scale. Specifications may not be representative of most recent upgrades and changes.

Weir Minerals

info@weirminerals.com
weirminerals.com

Copyright © 2015, Trio Engineered Products, Inc. All rights reserved. TRIO and the TRIO logo are trademarks and/or registered trademarks of Trio Engineered Products, Inc. and Trio China Limited; WEIR and the WEIR logo are trademarks and/or registered trademarks of Weir Engineering Services Ltd.

CNN: WMDTB_SP_TCCS0101